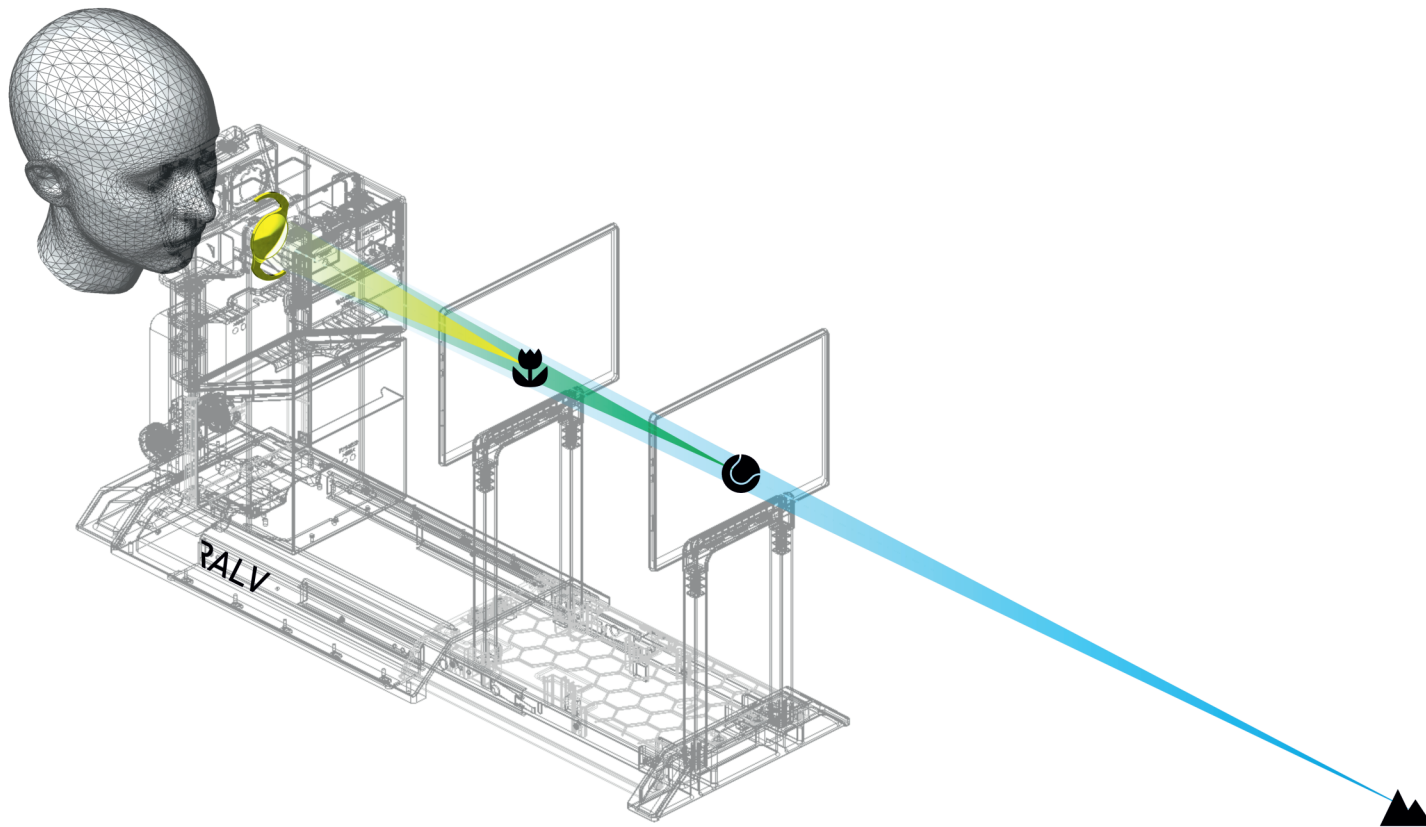


how will I see after refractive lens exchange?

RALV® by DEZIMAL is a non-invasive optical system for precise predictability of achievable vision after refractive lens exchange. RALV allows presbyopic patients to see through real intraocular lenses and experience postoperative vision prior to implantation of the IOL.



The goal of RALV is to achieve **the highest possible patient satisfaction** after refractive lens exchange - less complaints and less explanations.

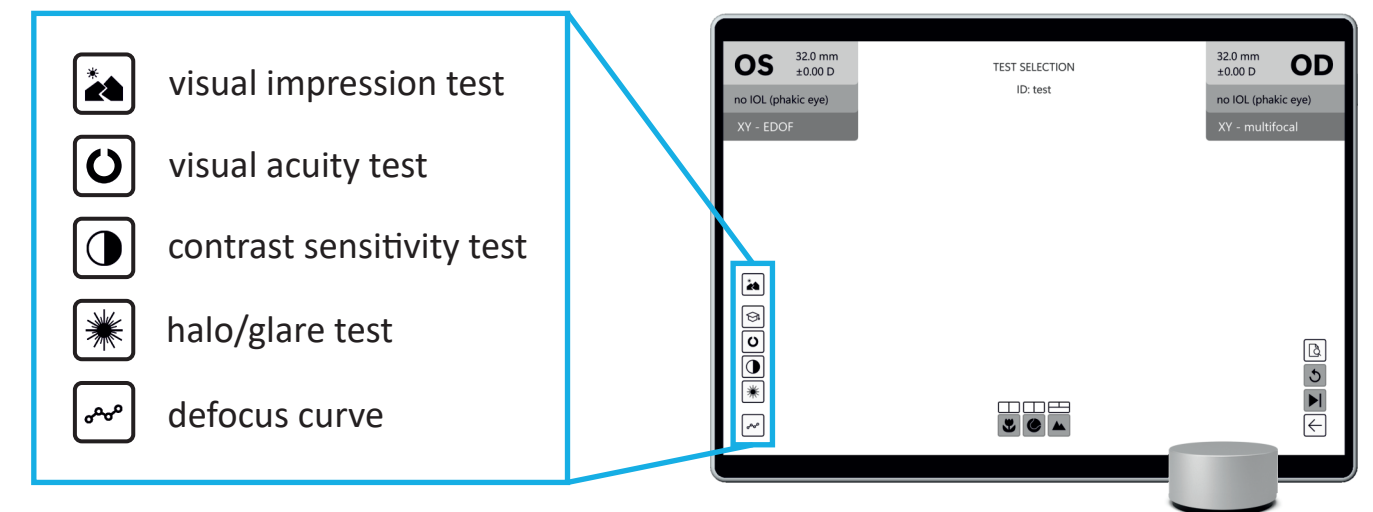
RALV allows to “test” an IOL on objects and vision charts in near, intermediate and far distances, allowing patients to subjectively evaluate different IOL types and designs (monofocal, EDoF, multifocal - refractive and diffractive) to find the one that individually fits best. Likewise, RALV supports selecting the right candidate for a certain type of IOL.

Features

The IOLs in RALV are mounted in so-called **IOL shuttles**, which are magnetically inserted into the optical path of RALV, allowing rapid exchange for direct comparison of different IOLs. RALV can be used with any type of IOL and is open to all IOL manufacturers.



The device is controlled by the **RALV APP**, which also displays various interactive tests to evaluate vision with an IOL.



For IOL selection, a **qualitative visual impression test** allows patients to look at different objects in space or at a distant light source through various intraocular lenses, helping them choose the one they feel most comfortable with.

To quantify the patient's achievable vision with an IOL, RALV enables the measurement of **visual acuity** and **contrast sensitivity** at near, intermediate, and far distances, as well as the amount of **halo/glare**.

Additionally, a complete **defocus curve** can be recorded in a minimal amount of time.

- view through real IOLs
- qualitative and quantitative vision tests
- safe and user-friendly medical device
- open to all IOL manufacturers